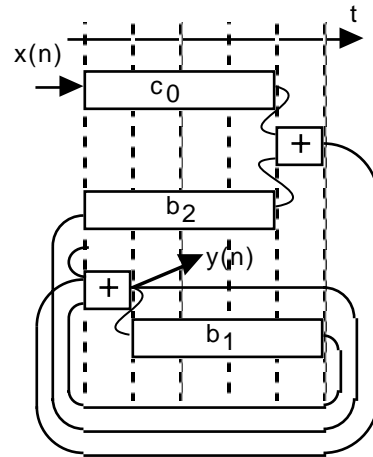


7.8 a) Specify the ordering of the additions. Chose to add $c_0 x(n)$ and $b_2 y(n-2)$ first. We get.

$$T_{min} = \max((4+1)/1, (4+1+1)/2) = 5 \text{ t.u.}$$



- b)
- c)