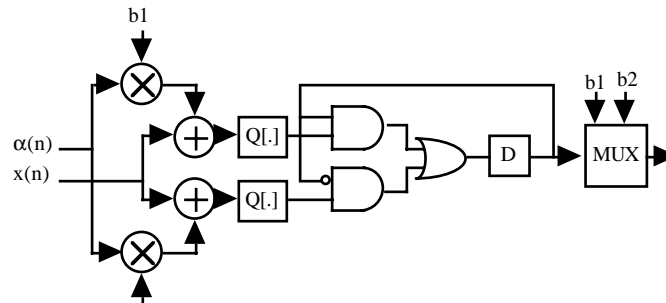


- 10.7 a) This type of quantization loop occurs for example: Differential pulse code modulation (DPCM), decision feedback equalizers (DFE), Viterby coders.

$$T_{min} = \frac{1}{T_{mult} + T_{add} + T_Q}$$

b)



New throughput:  $T_{min} = \frac{1}{T_{and} + T_{or}}$

