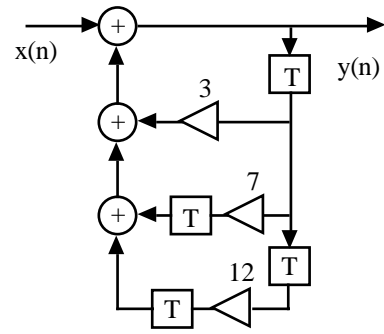
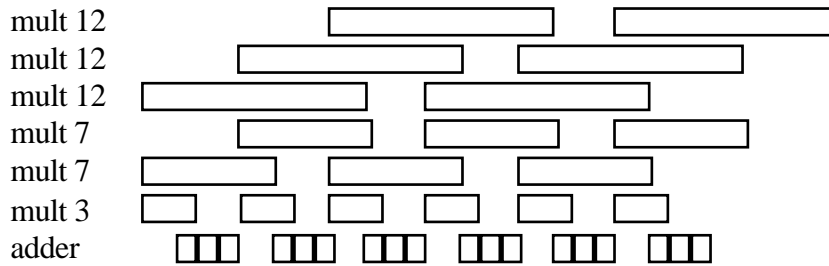


7.4 We have: $T_{min} = \max\{\frac{5}{1}, \frac{10}{2}, \frac{15}{3}\} = 5$

We need 1 adder, 1 multiplier of the first type, 2 of the second and 3 of the third type. We introduce delays into the critical path so that is broken into smaller pieces. This is often call for retiming. The degree of utilization of the adder is 60% and it is 60%, 70%, and 80% of the multipliers.



Retimed filter section.



Feasible schedule